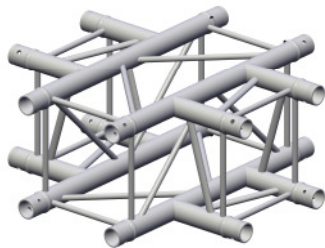
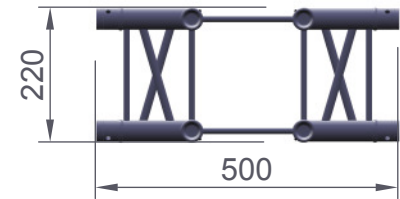
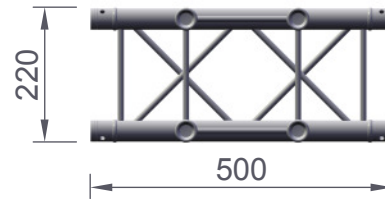
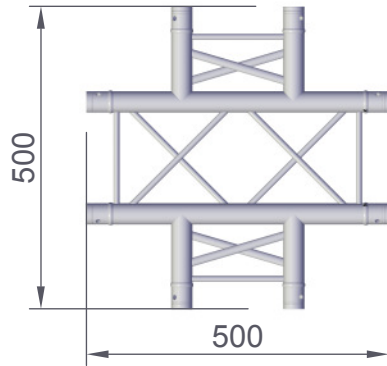


H



H^{OF} KON		220-4		C41
Art.no.	118220441	TÜV		HOF Alutec GmbH & Co. KG
	Tube	35x2 mm	EUROCODE 9	
	Bracing	10x2 mm		
	EN-AW 6060T66			
	Weight	2,8 kg		