

PG3 neo User's Guide

Last updated: February 24



Important information, read before commissioning!

PG3 neo



Table of contents

- Introduction..... 2
 - Symbols in this User Guide..... 2
 - Information about this User's Guide 3
- Product 4
 - Scope of delivery 4
 - Overview of components 4
- Safety..... 5
 - General safety instructions..... 5
 - Safety instructions for setting up as a tripod..... 6
- Intended use..... 7
- Construction 8
 - Preparing the tripod 9
 - Assembly of the projector plate 10
 - Assembly of the universal plate 11
 - With universal bracket..... 11
 - With tilting universal bracket 12
 - Assembly of the universal carrier 13
 - Mounting the TV spigot..... 13
- Dismantling..... 14
- Dimensions and weight 14
- Transport and storage..... 14
- Maintenance and care..... 15
 - Instructions on what to do in the event of damage 15
 - Information on spare parts procurement..... 15
 - Information on periodic inspections 15
 - Information on the maturity of discarding..... 15
 - Profile construction 15
 - Connectors & Fasteners..... 15
- Overview of individual parts/spare parts 17

Introduction

Thank you very much for choosing a product from our company. Be sure to read the owner's manual carefully before commissioning to ensure trouble-free operation and to ensure that you can take full advantage of your existing equipment. With the purchase of the PG3 neo, you have acquired a tripod of the highest quality and performance. As an owner of lighting, sound, or video technology, you now have a very versatile and professional tool at hand that will meet the full spectrum of high demands on light, sound, and video quality and on safe installation.

Symbols in this User Guide



This symbol signifies a possible imminent danger to the life and health of persons. Failure to follow these instructions can have serious health consequences, including life-threatening injuries.



This symbol signifies a potentially dangerous situation. Failure to follow these instructions may result in minor injuries or damage to property.



This symbol provides important information for the proper handling of the products described. Failure to follow this notice may result in malfunctions or damage to property.



This symbol provides information on how to use the products described more easily.

Information about this User's Guide

© HOF Alutec GmbH, all rights reserved.

All information in this user manual is based on the information available at the time of printing about the characteristics of the products described herein and the corresponding safety regulations.

Technical specifications as well as dimensions, weight and properties do not constitute guaranteed properties.

The manufacturer expressly reserves the right to make changes and modifications within the framework of the legal provisions as well as to improve the product properties.

This user manual and all other necessary information for safe use must be available to all persons using the PG3 neo tripod at the time of assembly and disassembly and during operation! Without reading, understanding, and having this user manual at hand on site, the tripod must not be set up or used.

The original language of all **HOF** user manuals is German.

If you need user manuals from HOF, you can reorder them from us or download them from our website www.h-of.de.

Contact: sales@h-of.de

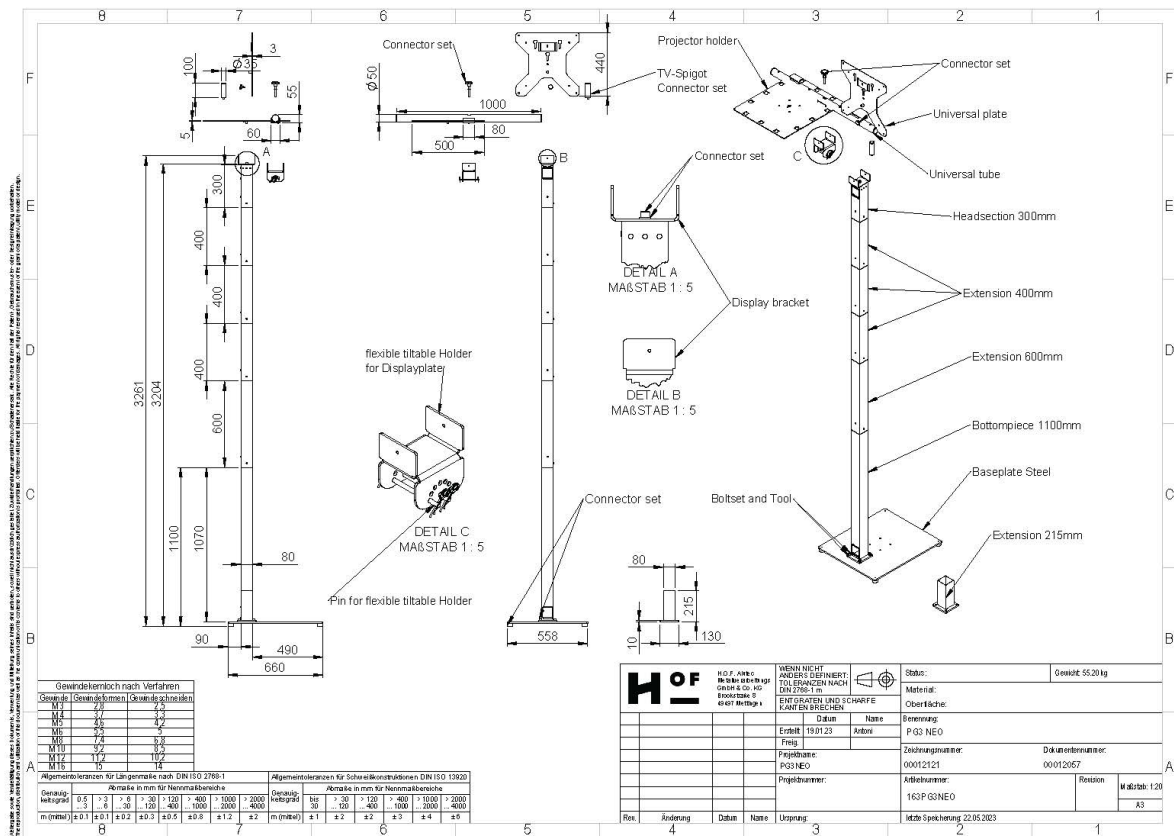
H.O.F. Alutec Metallverarbeitungs GmbH & Co. KG
Brookstraße 8, D-49497 Mettingen
Telefon +49 (0) 54 52-97 33-10, Fax +49 (0) 54 52-97 33-19

Product

Scope of delivery

- 1x Floor slab
- 2x Footer (1x 215mm, 1x 1100mm)
- 4x Extension (3x 400mm, 1x 600mm)
- 1x Head
- 1x Universal Plate
- 1x Universal wood
- 1x Projector plate
- 2x Holder for universal plate (1x adjustable, 1x fixed)
- 1x Connector set
- 1x User guide

Overview of components



Safety

General safety instructions



The information described here does not exempt the user from the obligation to comply with given safety requirements and legal provisions.

The company is designed for applications on horizontal ground and without possible personal impact and wind loads. If these factors are considered, separate measures should be taken.

Be sure to pay attention to the technical documentation and statics on the website of the manufacturer **HOF**:

- The maximum load of 60kg is for central loads **only**! Decentralized loads were not calculated by static report. Also dynamic loads were not taken into account. Instability may occur.
- The persons in charge of the installation must be personnel trained in event technology and work with appropriate personal protective equipment.
- The persons in charge of installing the system on site are responsible for and ensuring that the system is set up and used safely.
- To prevent damage to property and personal injury, the equipment must be reliably installed in accordance with the requirements of DGUV 17 (BGV C1) or comparable applicable national standards.
- Except as expressly described in this User Manual, only original parts supplied by HOF may be used for assembly. The use of other parts, especially parts from third-party manufacturers, is prohibited.
- In principle, all tripod components, as well as the light, sound or video technology used, must be visually inspected before each use. In the case of permanent installations, all system components of the lighting, sound or video technology must be checked at regular intervals for signs of wear. The visual inspection includes the inspection of the system components of the lighting, sound or video technology and its fastening components. When testing the components of the tripod, special attention should be paid to deformations, cracks, damage to bolts and corrosion on all products. If there are indications of wear, cracking, deformation, etc., the affected components must be replaced immediately.

For further information, please refer to the chapter Maintenance [and Care](#).

Connected and set up spotlights / speakers / projectors can be considered as a tripod.

Safety instructions for setting up as a tripod.



Tripods must not be placed in escape and rescue routes.

For each specific application, proof of stability must be provided. This can be done with the help of the system statics provided on the manufacturer's website: [LINK](#)

The proof of stability must be carried out by a specialist trained in event technology or by a structural engineer.

When setting up and taking down spotlights / loudspeakers / projectors on tripods, a special hazard must be indicated. For this purpose, suitable aids, such as platforms, must be used.

If you place the tripod in areas with public traffic, the tripod (lower edge of the mounted equipment) must have a minimum height of 1.6 m.

Depending on the application, a maximum of 2 devices may be mounted on the specified tripod with the help of the mounts.

Intended use.

The universal plate, projector plate and universal carrier may only be used together with the PG3 neo tripod and the associated tripod components (see below).

If the stability has been proven with the help of the manufacturer's statics, the recordings serve as a stable and secure connection of equipment to the tripod.

The accessories may only be used for commercial indoor use in the manner specified herein.

The use of components from manufacturers other than the one mentioned is prohibited.

Any further use shall be deemed not to be in accordance with the intended purpose.

The use of components other than the following parts from the manufacturer HOF is prohibited for a tripod setup:

- PG3 neo Bodenplatte
- PG3 neo footpiece 215mm
- PG3 neo footrest 1100mm
- PG3 neo extension 400mm
- PG3 neo extension 600mm
- PG3 neo head
- PG3 neo Universalplatte
- PG3 neo Universal wood
- PG3 neo Beamerplatte
- PG3 neo Holder for Universal Plate
- PG3 neo Holder for universal plate, adjustable
- PG3 neo connector set

Construction



Danger of tipping over and falling over!

Incorrectly assembled equipment loses all its safe properties and cannot be set up safely. Tilting or falling components pose a deadly danger to those nearby!

Be sure to read the user manual and the other applicable documents (statics) of the tripod and inform yourself especially in the corresponding chapters on stability and ballast weights!

Before installation, ensure a firm and very flat surface that cannot give way under the weight of the overall structure.

In many cases, standing speakers and especially upright arrays need to be secured against tilting and falling over.

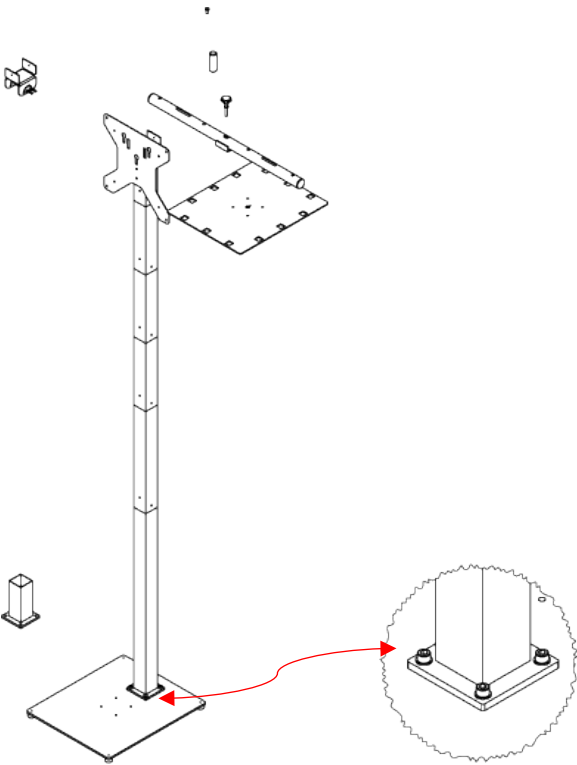
If you place the tripod in areas with public traffic, the tripod (lower edge of the mounted equipment) must have a minimum height of 1.6 m.

If you lock the tripod in public traffic or place it in areas without public traffic, the tripod height may also be less than 1.6 m.

Depending on the application, a maximum of 2 devices may be mounted on the specified tripod with the help of the mounts.

Preparing the tripod

- 1. Screw the desired foot section (215mm or 1100mm) onto the base plate. Note that the cable outlet is located at the back.



- 4x **Socket head screw with Domestic curb M10 x 20**
- 4x **Washer M10**



Pay attention to the positioning of the stele on the base plate depending on the application!

- 2. Tuck the tripod together to the desired height. To do this, use the extensions and end with the headboard.



Please note that the maximum height of the PG3 neo tripod is 3.2 m!

Assembly of the projector plate



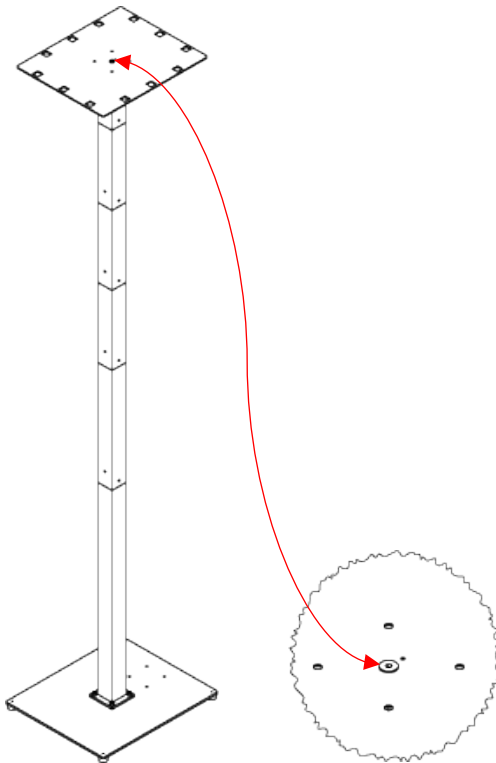
For use with a projector plate, the stele must be mounted in the middle of the base plate!

1. Screw the projector plate onto the top of the universal head.



1x

**Countersunk screw with
Domestic curb M10 x 25**



2. Mount the projector on the plate using 4 countersunk screws. (Screws not included!)

Assembly of the universal plate



For use with a projector plate, the stele must be mounted decentrally on the base plate!

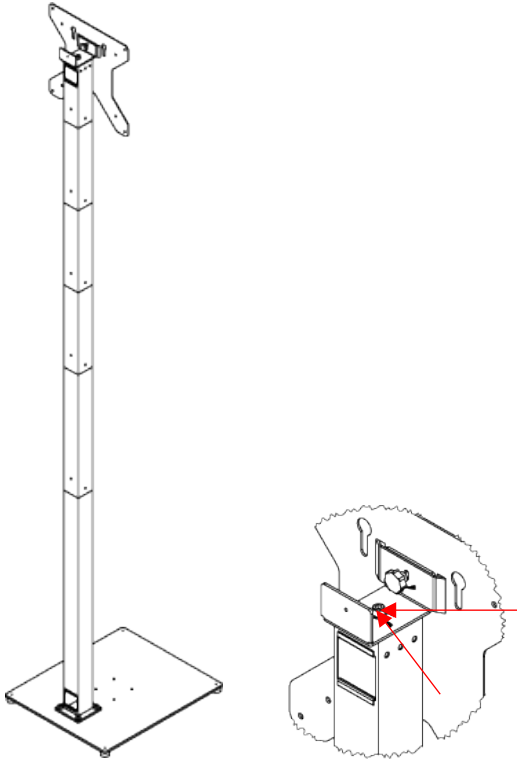
With universal bracket

- 1. Screw the universal bracket onto the top of the universal head.



1x Socket head screw with Domestic curb M10 x 25

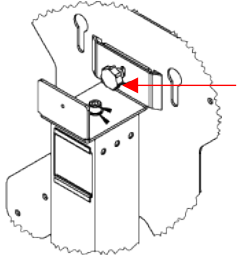
1x Washer M10



- 2. Mount the universal plate on the holder.

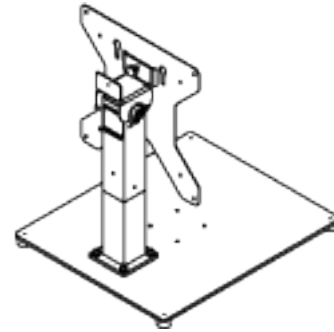
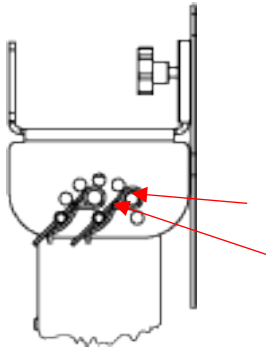


1x Star Handle Screw M6

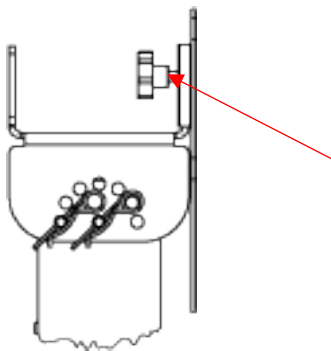


With tilting universal bracket

1. Fix the tilting universal bracket in the desired position using the bolts and spring plugs on the head.

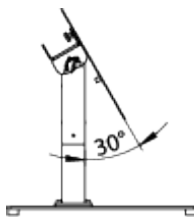


2. Mount the universal plate on the holder.

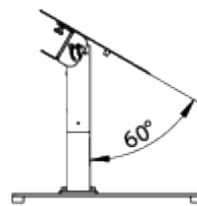


1x Star Handle Screw M6

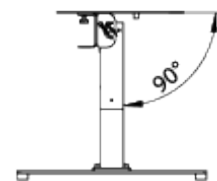
Possible angles of inclination:



30° Neigung



60° Neigung



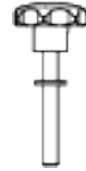
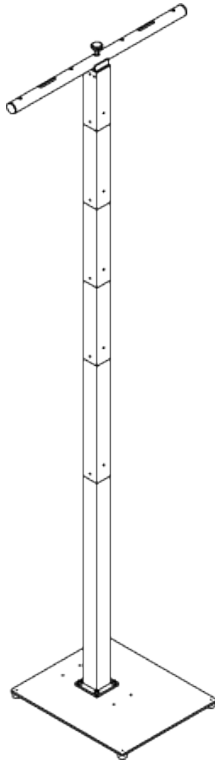
90° Neigung

Assembly of the universal carrier



For use with a projector plate, the stele must be mounted between central and off-center on the base plate!

1. Attach the universal carrier to the universal head.



1x Star Handle Screw M10

1x Washer M10

Mounting the TV spigot



Positioning of the stele on the base plate:

1. Screw the speaker mount into the top center of the universal head.



1x TV-Zapfen

Dismantling

Basically, the dismantling takes place in the reverse order as the assembly.



Always stow all equipment and accessories in the transport case after disassembly. This ensures that they cannot be lost and are always at hand. In addition, they are protected from short-term weather conditions in the cases.

Dimensions and weight

Projector plate	Dimensions: 600 x 500 x 5 mm	Weight: 11.3 kg
Universal Plate	Dimensions: 440 x 440 x 3 mm	Weight: 3.1 kg
Universal wood	Dimensions: 1010 x 50 x 50 mm	Weight: 1.0 kg

Transport and storage

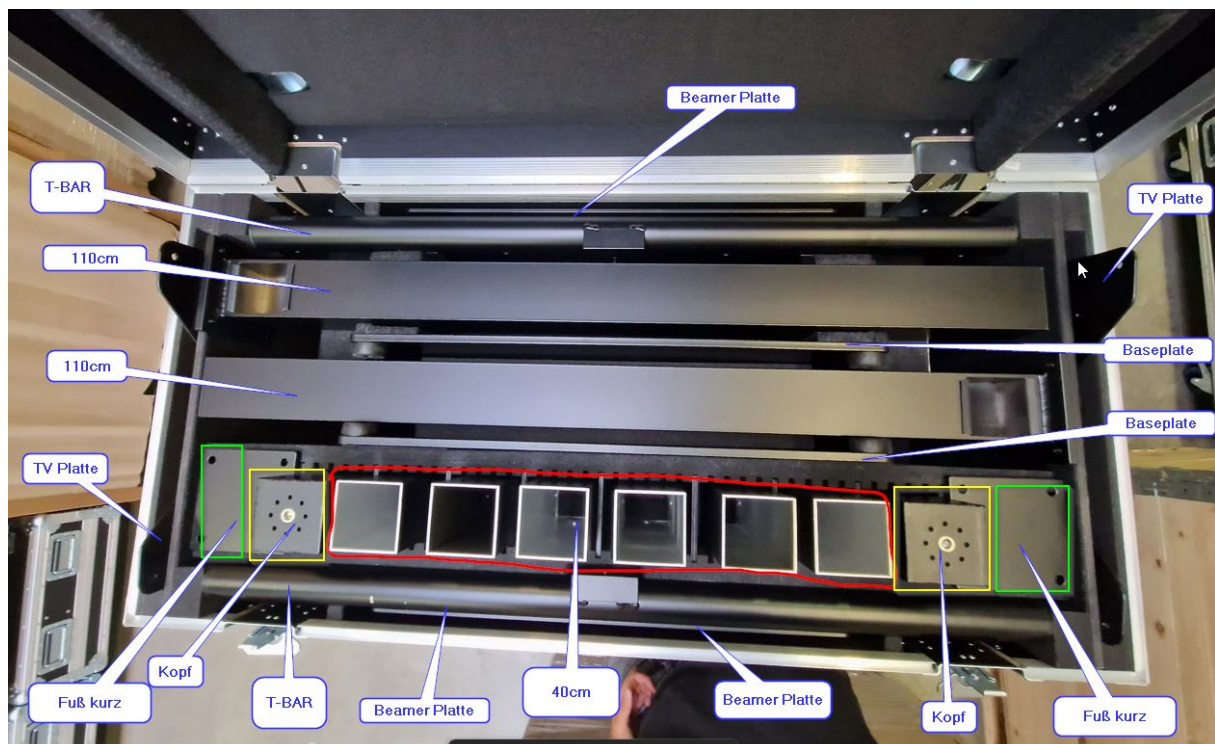
All PG3 neo components must be protected from short-term exposure to moisture. Nevertheless, the accessories must always be stored, transported, and used in a dry place. All accessories of lighting, sound and video technology must not be used permanently in a corrosive environment.

If stored for a longer period, make sure that there is sufficient ventilation so that any residual moisture can escape from the insert.

You also need to make sure that all system components and lighting, sound and video accessories are protected from mechanical stress so that it cannot be damaged.

For safe transport, it is recommended to use the matching flight case (163PG3N07), which is sold separately.

The case is equipped as follows:



Maintenance and care



It is imperative for the owner and user to be aware that accessories that are used to hang or set up spotlights, loudspeakers or projectors are highly safety relevant.

The test specifications vary depending on the application and country of use. Be aware of the regulations you apply. If in doubt, contact the local authorities.

In any case, do not use lubricants to "lubricate" fasteners. Clean the components exclusively with water and, if necessary, a soft cotton cloth.

Instructions on what to do in the event of damage.

If you notice any kind of damage during the assembly or disassembly of the tripod, the corresponding component must be taken out of circulation immediately and protected from accidental use by means of a clear marking. Get in touch with your dealer and clarify the next steps.

Information on spare parts procurement

Only the use of original spare parts is permitted. You can obtain these from your dealer.

A list of spare parts/individual components can be found in the appendix to this user manual.

Information on periodic inspections

Depending on the type and frequency of use, constructions in event technology must be tested in such a way that defects and damage are detected in good time. They must be inspected at least once a year by an expert. In particular, the exam includes:

- Deformation (bending, twisting, ...)
- Damage (cracks, holes, ...)
- Missing parts (connectors)
- Reaching the maturity of discarding

If doubts arise during the visual inspection as to the absence of damage, another informative test method (e.g. dye penetrant test, ultrasonic test) must be used. The operator must ensure that the results of the periodic inspections are recorded in a test book. (For test certificates, see also BGV C1 § 35).

Information on the maturity of discarding

Constructions in event technology are ready for discarding if the evaluation of the following criteria no longer guarantees safe use for the period of use.

Profile construction

1. Reduction of cross-section due to wear (internal and external profiles)
2. Plastic deformation of profiles
3. Holes in the profiles
4. Displacement of the beam profile (components no longer fit together)
5. Improper repair
6. Corrosion of the profile construction

Connectors & Fasteners

1. Wear and reduction of the cross-section due to wear on the connector
2. Reduction of weld seam thickness due to wear
3. Plastic deformation of the connectors
4. Enlargement of the boreholes

5. Plastic deformation of fasteners
6. Severe corrosion on the connectors and fasteners
7. Severe corrosion between support profiles, connectors, and fasteners
8. Broken welds
9. Improper repair

Overview of individual parts/spare parts

Art.-No.	Designation
163PG3N00	Floor slab
163PG3N0125	Footpiece 215mm
163PG3N1100	Footpiece 1100mm
163PG3N0400	Extension 400mm
163PG3N0600	Extension 600mm
163PG3N01	Universal head
163PG3N02	Display bracket
163PG3N05	Display bracket, tilting
163PG3N03	Projector Plate / Projector Plate
163PG3N04	Universal Plate / Display Plate
163PG3N06	Universal wood
163PG3N99	Connector set
163D4D2LA	EL 35mm Speaker Mount
HOF30077	Star Handle Screw M10
HOF30126	Star Handle Screw M6
77009128100100020	Socket head screw w/hexagon socket M10x20 - DIN 912
77009128100100025	Socket head screw w/hexagon socket M10x25 - DIN 912
77079918100100025	Countersunk screw w/hexagon socket M10x25 - EN ISO 10642
7700125810105	Washer M10 - DIN 125 A
163PG3N98	Bolt for display holder, tiltable
1119926	Spring plug 2mm, double