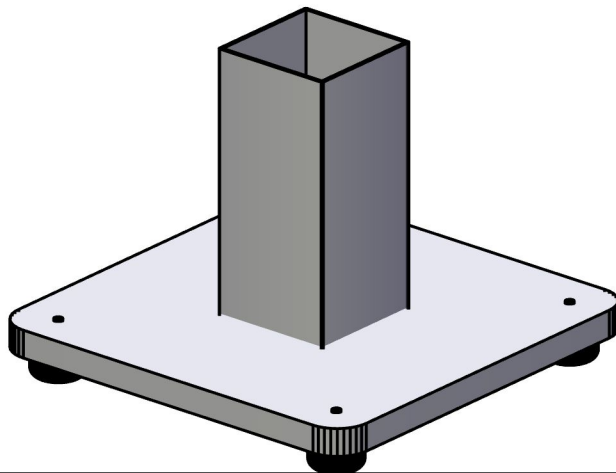
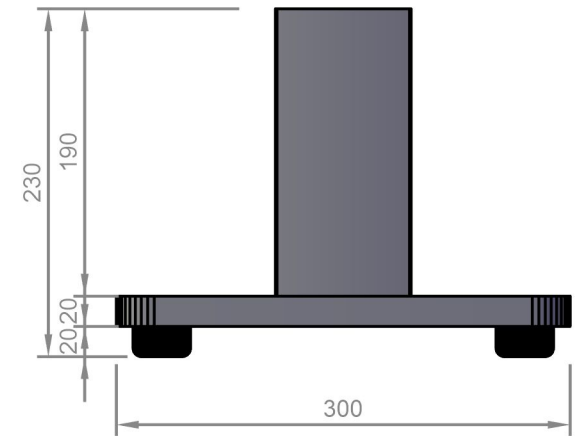
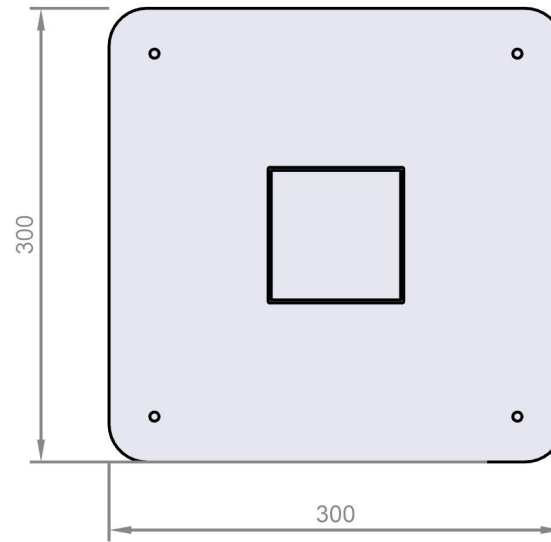


H



|      |           |       |      |                     |            |                  |  |
|------|-----------|-------|------|---------------------|------------|------------------|--|
|      |           |       |      | Maßstab 1:5         |            | Gewicht: 5,30 kg |  |
|      |           |       |      | Excellent Line      |            |                  |  |
|      |           |       |      | Datum               | Name       |                  |  |
|      |           |       |      | Bearb               | 06.04.2021 | Thum             |  |
|      |           |       |      | Gepr.               |            |                  |  |
|      |           |       |      | Norm                |            |                  |  |
|      |           |       |      |                     |            |                  |  |
|      |           |       |      |                     |            |                  |  |
|      |           |       |      |                     |            |                  |  |
|      |           |       |      |                     |            |                  |  |
|      |           |       |      |                     |            |                  |  |
|      |           |       |      |                     |            |                  |  |
|      |           |       |      |                     |            |                  |  |
|      |           |       |      |                     |            |                  |  |
| Zust | Aenderung | Datum | Name | letzte Speicherung: |            | 06.04.2021       |  |
|      |           |       |      | 163D2002BP          |            | Blatt A4 Bl.     |  |