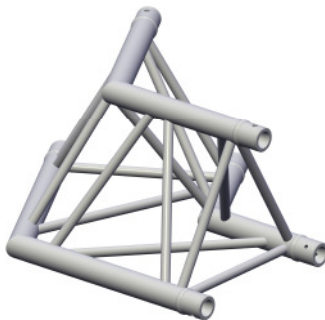
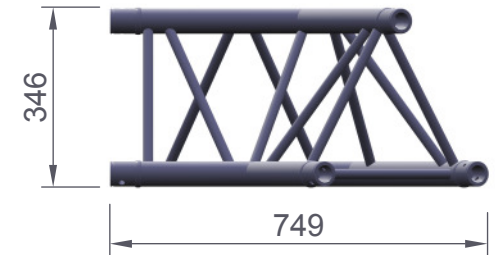
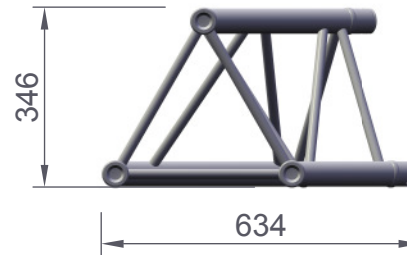
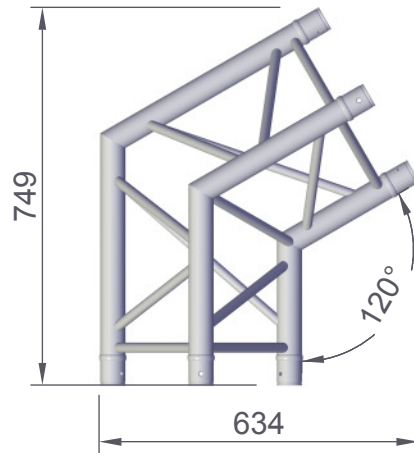


# H



<b>HOF</b> <b>KON</b>		400-3		C22
Art.no.	112400322	TÜV		HOF Alutec GmbH & Co. KG
	Tube	50x2 mm	EUROCODE 9	
	Bracing	25x2 mm		
	EN-AW 6082T6			
	Weight	5,1 kg		