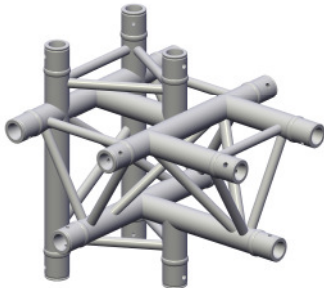
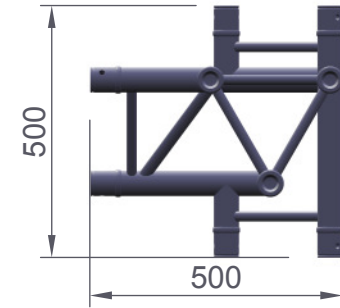
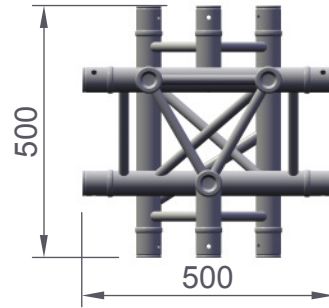
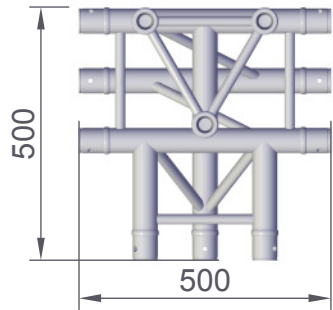


H



HOF KON		290-3		C51
Art.no.	112290351	TÜV		HOF Alutec GmbH & Co. KG
Tube	50x2 mm	EUROCODE 9		
Bracing	20x2 mm			
EN-AW 6082T6				
Weight	6,8 kg			