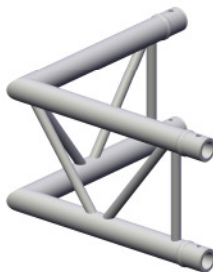
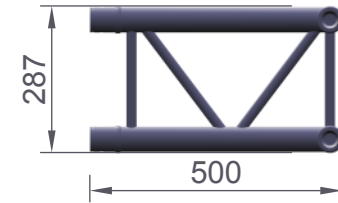
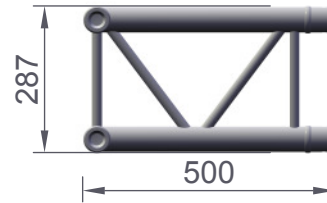
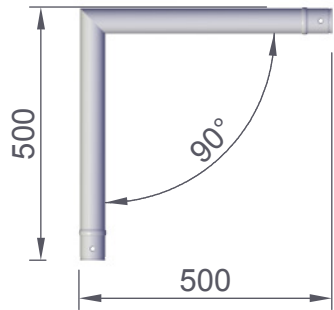


H



| | | | | |
|--------------------------|--------------|---------|------------|-----------------------------|
| HOF KON | | 290-2 | | C21V |
| Art.no. | 112290221V | TÜV | | HOF Alutec GmbH & Co. KG |
| | Tube | 50x2 mm | EUROCODE 9 | |
| | Bracing | 20x2 mm | | |
| | EN-AW 6082T6 | | | |
| | Weight | 2,6 kg | | |